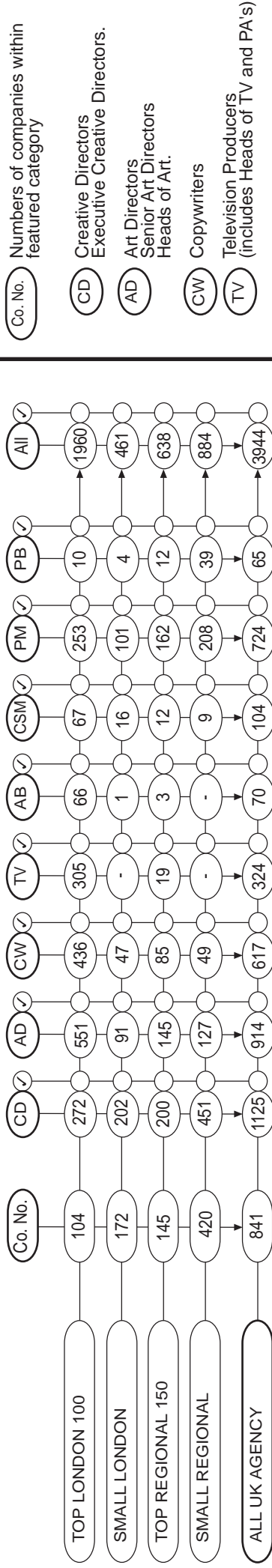
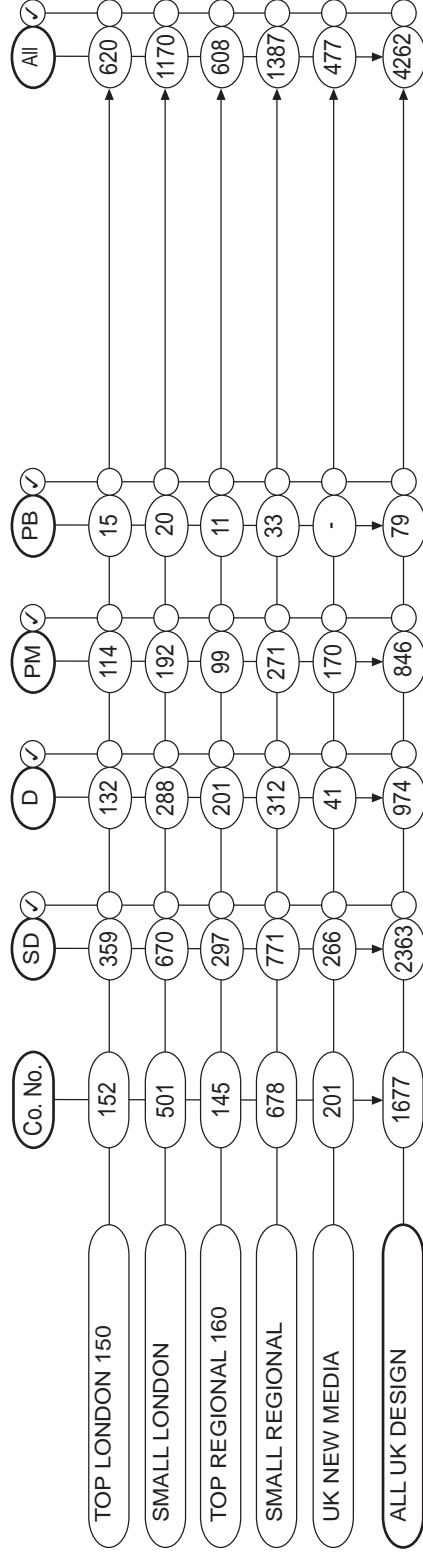




UK Advertising Agencies



UK Graphic Design Groups



KEY

- Co. No. Numbers of companies within featured category
- CD Creative Directors
Executive Creative Directors.
- AD Art Directors
Senior Art Directors
Heads of Art.
- CW Copywriters
- TV Television Producers
(includes Heads of TV and PA's)
- AB Art Buyers
- CSM Creative Service Managers
- PM Production /Traffic Managers
- PB Print Buyers
- SD Senior Designers
Principals
Creative Directors.
- D Designers

Selections available on any postcode criteria
 All sectors and sub-divisions are mutually exclusive.
 Headcounts vary on a daily basis - use these figures as a guide only

other UK data

Tick required circles

	Co. No.		All <input checked="" type="checkbox"/>
Commercial Film Production Co	220	<input type="checkbox"/> 1580 Directors <input type="checkbox"/> 446 Producers <input type="checkbox"/> 56 Production Managers <input type="checkbox"/> 78 Production Assistants	2160 <input type="checkbox"/>
TV Broadcast Film Production	545	<input type="checkbox"/> 1406 selected Executive Producers, Producers, Directors	1406 <input type="checkbox"/>
Post Production	150	<input type="checkbox"/> 359 Facility / Creative Managers	359 <input type="checkbox"/>
Music Production/Publishing	122	<input type="checkbox"/> 221 selected Managers and Producers	221 <input type="checkbox"/>
Magazines	200	<input type="checkbox"/> 204 Editors <input type="checkbox"/> 287 Art Editors/Art Directors <input type="checkbox"/> 206 Picture researchers <input type="checkbox"/> 143 Production Managers <input type="checkbox"/> 613 other Commissioning Editors	1453 <input type="checkbox"/>
UK Book Publishing	155	<input type="checkbox"/> 428 Art Editors & Commissioning Editors <input type="checkbox"/> 159 Production Managers	587 <input type="checkbox"/>
Record Companies	46	<input type="checkbox"/> 190 selected Product Managers, A&R, Press and Art Staff	206 <input type="checkbox"/>
Public Relations Co (UK)	262	<input type="checkbox"/> 766 selected Account Handlers, Account Managers and creative staff	766 <input type="checkbox"/>
UK Fashion	200	<input type="checkbox"/> 504 buyers and creative staff in top fashion retailers, manufacturers, catalogues, beauty products	528 <input type="checkbox"/>
Top 200 Advertisers (UK)	200	<input type="checkbox"/> 632 selected marketing/brand mangers & related marketing functions	632 <input type="checkbox"/>
In-House Design (UK)	845	<input type="checkbox"/> 1300 In House Graphic Designers and Design Managers	1300 <input type="checkbox"/>
London Photographers	947	<input type="checkbox"/> 947 UK Photographers	947 <input type="checkbox"/>
Photographers Agents	108	<input type="checkbox"/> 180 Photographers Agents	180 <input type="checkbox"/>

corporates

Some names are duplicated across the 3 corporate sectors, any duplicates would be removed if more than one dataset is ordered.

Head-counts vary on a daily basis - these figures for guidance only
Any postcode selection available